

CD Transport  
**VRDS-701T**



**The VRDS-701T is a commemorative CD transport model that celebrates TEAC’s 70th anniversary. Utilizing our newly-developed VRDS mechanism, it can maximize the true capabilities of a system when used in combination with a DAC.**

■ **Main features**

- CD transport for use in combination with an external DAC that has a digital input
- A newly-developed VRDS mechanism is used for the CD drive.
- MQA core decoding function
- S/PDIF (optical/coaxial) digital outputs
- 10MHz external clock input
- Dedicated toroidal core transformers for the digital output and CD drive circuits



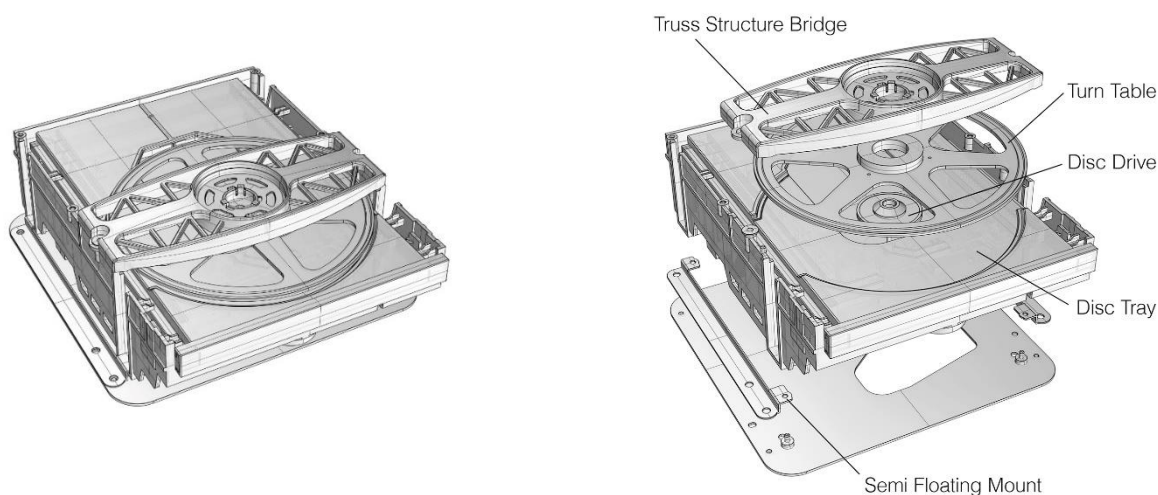
Brand	TEAC	TEAC
Model name	VRDS-701T-S	VRDS-701T-B
Color	Silver (S)	Black (B)
EAN code (230V)	4907034224432	4907034224425
UPC code (120V)	043774035755	043774035748
Product Dimensions	444 x 111 x 333 mm(W x H x D) /10.1kg	
Package Dimensions	644 x 297 x 495mm (W x H x D) / 13.8kg	

The VRDS-701T CD transport utilizes our newly-developed VRDS mechanism. The VRDS is a TEAC-original CD drive mechanism that reduces rotation vibration and other unwanted vibration by clamping the CD to an aluminum turntable with the same diameter in order to maximize inertial mass.

Used in combination with a UD-701N, which is part of the same series, playback is possible using the discrete DAC in the UD-701N as well as with MQA full decoding. Of course, you can also use it together with a DAC of your choosing, and build a system as you like. The inclusion of a 10MHz clock input enables flexible integration with systems that are synchronized using an external clock.

- **Newly-developed VRDS mechanism**

Starting with a drive we developed that has a long record of use in broadcast applications, we added VRDS technologies, which are part of our TEAC legacy.



- **Vibration-Free Rigid Disc-Clamping System (VRDS)**

This TEAC-original CD drive mechanism reduces rotation vibration of the disc itself as well as unwanted mechanism vibration by clamping the CD to an aluminum turntable with the same diameter and maximizing inertial mass in order to stabilize rotation. Servo current is reduced with the turntable by correcting disc warping and distortion and improving the relative optical axis precision of the pickup and disc pit side. This realizes reduced disc reading errors and outstanding audio quality.

- **Bridge section supports the VRDS**

For the bridge that supports the turntable, we carefully selected lightweight materials that are very rigid and do not transmit vibration. By naturally settling vibrations quickly, we have realized a wide, dynamic sound. The bridge, which has a torus structure made of resin, is only fixed on one side, and propagation of vibration from the CD mechanism to the opposite side through the bridge is suppressed, so the entire mechanism minimizes unwanted sympathetic vibrations.

## ■ Semi-floating mounting

The entire CD mechanism is mounted on the sub-chassis in a semi-floating state. By controlling the transmission of vibrations between the CD mechanism and the chassis, the impact of sympathetic vibrations is abated, and natural playback sound is realized throughout the frequency range. By isolating motor vibrations from the main chassis, sympathetic vibrations within the chassis are prevented. At the same time, the CD mechanism is also isolated from external vibrations. Reading precision is also increased by isolating the CD mechanism from external vibrations.

## ● Enhanced digital output

By eliminating the DAC function, the internal circuitry has been optimized for digital output. We have pursued higher audio quality by, for example, using larger components that did not fit in more limited space.

## ● MQA CDs can be played back using the built-in MQA core decoder

The VRDS-701T has a built-in MQA core decoder and can digitally output MQA CDs at 88.2 kHz . Moreover, when used together with a DAC that has an MQA rendering function, playback using MQA full decoding is also possible.



## ● 10MHz external clock input

The 10MHz clock input allows synchronization with an external clock. In addition to improving audio quality during playback with the VRDS-701T, this also enables synchronization of the entire system with a clock generator.

## ● Power supply enhanced using 2 high-capacity toroidal core transformers

Independent high-capacity toroidal core transformers are dedicated to the digital control section and the CD mechanism. These 2 high-capacity toroidal core transformers enable current to be supplied with greater stability.

## ● Thorough design for vibration control

Power transformers, which tend to generate vibration, are mounted on a floating structure, separating and isolating them from the bottom panel. The side fins for heat dissipation have been tailored so that each one has a different length in order to eliminate sympathetic vibrations.

## ● Three supporting pinpoint feet made of machined steel with a unique structure

The circuit board attachment screws have been kept to a minimum. Furthermore, steel pinpoint feet that use an original TEAC design with a new structure to provide a suitable amount of play in the connection between them and the bottom panel, are employed to thoroughly control vibrations that could affect audio quality.

- **Control connectors enable coordinated use with other devices**

RS-232C is present for integration with popular control systems, and trigger input and output connectors enable power coordination with other devices.

## ■ Specifications

### CD section

Supported Media Audio CD, CD (CD-R/CD-RW \* CD-DA format)  
(8cm CDs not supported)

### Digital outputs

#### COAXIAL

Connector RCA x1  
Output level 0.5Vp-p  
Output impedance 75Ω

#### OPTICAL

Connector TOS (JEITA RC5720C) x1

### Clock sync input

Connector BNC x1  
Input frequency 10MHz  
Input impedance 50Ω  
Input level Rectangle wave: equivalent to TTL level,  
Sine wave: 0.5 to 1.0Vrms

### External control

#### Trigger input (12V TRIGGER IN)

Connector 3.5mm Mono mini jack x1  
Input level 12V, 1mA

#### Trigger output (12V TRIGGER OUT)

Connector 3.5mm Mono mini jack x1  
Input level 12V  
Maximum current supply 100mA

### General

#### Power

AC 120V, 60Hz  
AC 220-240V, 50/60Hz

<u>Power consumption</u>	40W
<u>Standby power</u>	0.4W
<u>Overall dimensions</u>	444 x 111.3 x 333mm (including protrusions)
<u>Weight</u>	10.1kg
<u>Operating temperature</u>	+5°C to +35°C
<u>Operating humidity</u>	5% to 85% (no condensation)
<u>Storage Temperature range</u>	-20°C to +55°C
<u>Accessory</u>	AC cord x1, Remote (RC-1338) x1, Dry battery (AAA) x2, Foot pad x3, Manual x1

## ■ Read Panel

